

ISO 9001:2015

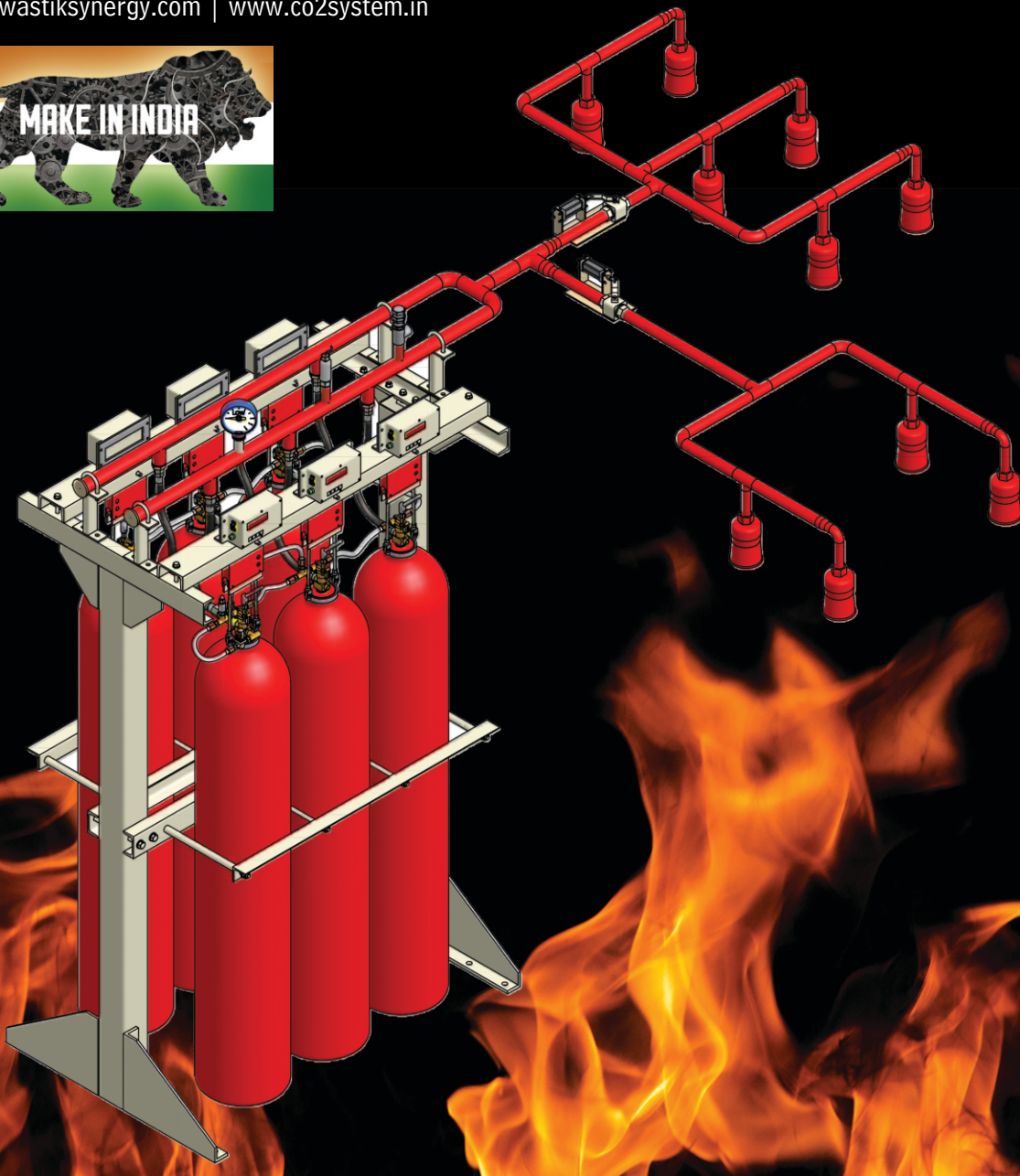


SYNERGY

CO2 FIRE EXTINGUISHING SYSTEM



www.swastiksynergy.com | www.co2system.in



First and Only Indian Company with  LISTED CO2 Fire Extinguishing System

SWASTIK SYNERGY ENGINEERING PVT. LTD.

TOTAL SOLUTIONS PROVIDER FOR FIRE PREVENTION & FIRE FIGHTING NEEDS.

COMPANY PROFILE

SWASTIK SYNERGY ENGINEERING PVT. LTD. (SSEPL) is one of the leading Manufacturer and supplier of Fire Fighting Appliances, Equipment & Systems.

SSEPL's manufacturing and warehousing facility is located at Khopoli near Mumbai and it consists of all the necessary and sophisticated plant & machinery to manufacture automatic fire suppression system. Its Head Office is Located at Santacruz.

SSEPL is approved by CCOE (PESO) for filling and storing of Clean Agent Gases. SSEPL is registered as a MSME Unit and has adopted ISO 9001:2015 and ISO 45001:2018.

SSEPL Specializes in following products

- UL - CO2 Fire Extinguishing System
- UL - Kitchen Fire Extinguishing System
- VDS - Inert Fire Suppression System
- LPCB - SYNERGY Firessense Direct Low Pressure System
- UL - Clean Agent Fire Extinguishing System



COMPANY POLICY

We at Swastik Synergy Engineering strive to deliver fire fighting products and systems to meet and exceed customer satisfaction through Continual Improvement in products, process, manufacturing technology, services and quality management system.

We aim at market leadership with:

1. Satisfied customer.
2. Experienced, Motivated and committed employees and business associates.
3. Maintaining compliance to the national and international standards and regulations in force.
4. Protection and advancement of environment.

INTRODUCTION

CARBON DIOXIDE GAS

Under normal atmospheric temperature and pressures, carbon dioxide exists as a colorless, odorless gas which is about 1.5 times heavier than air. Carbon dioxide will not burn or support combustion and will not sustain life. When confined within a suitable pressure vessel and depending on temperature and pressure conditions, carbon dioxide can exist in any of three stages of matter; solid, liquid and gas.

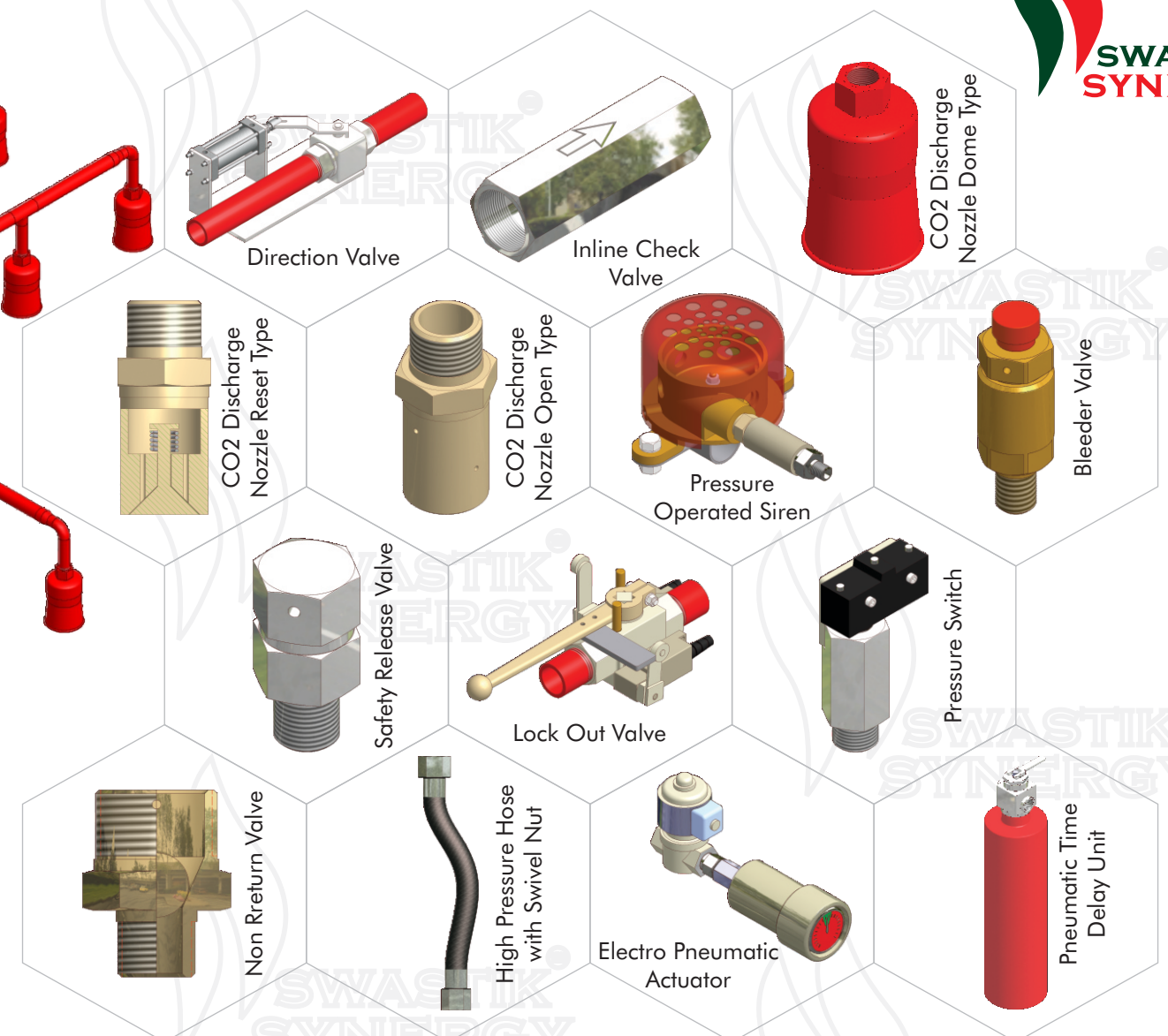
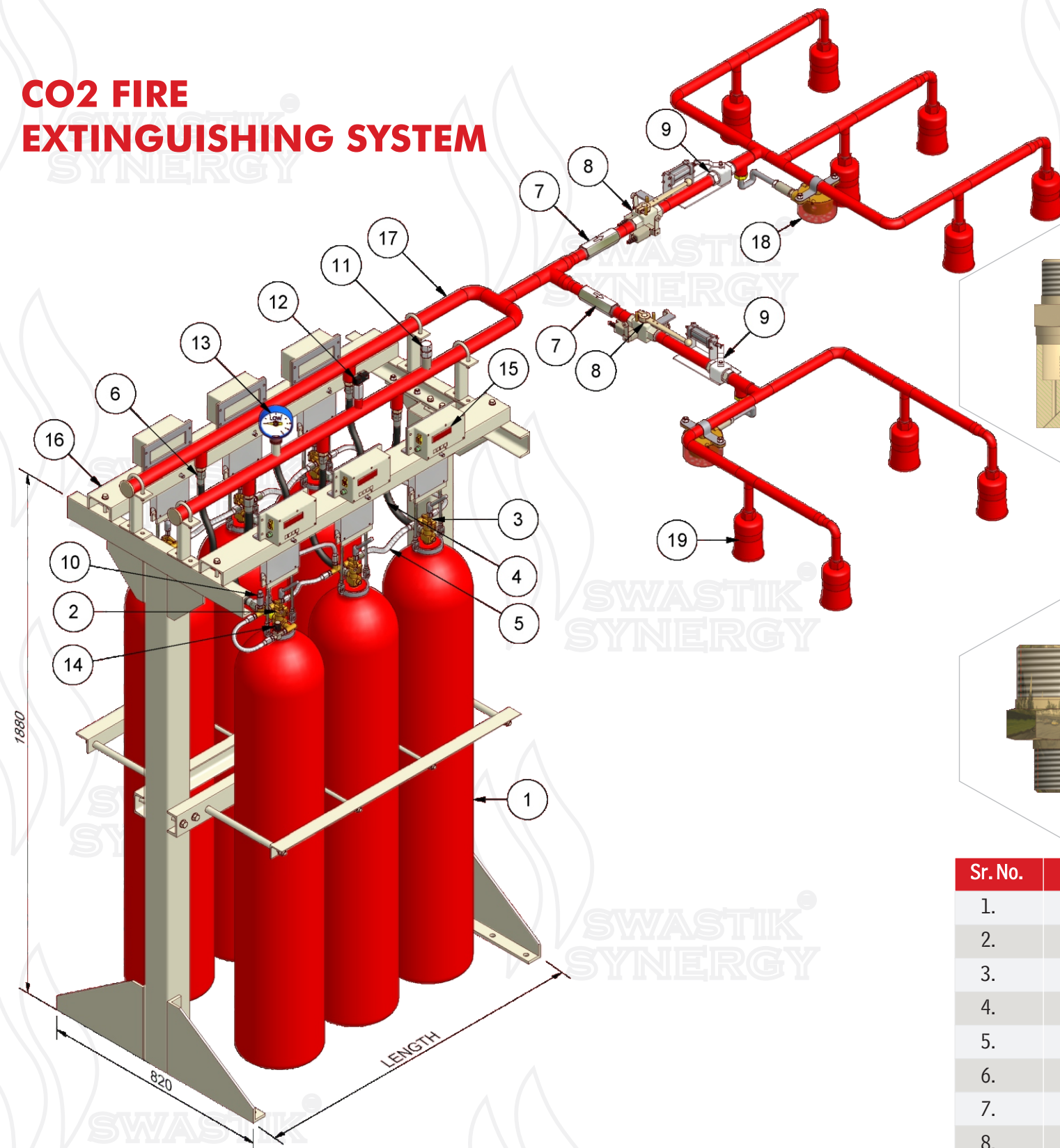
HIGH PRESSURE CARBON DIOXIDE SYSTEM

High pressure CO2 system is a specialized fire extinguishing system designed to maintain the carbon dioxide supply at 21° C and 850 psig in strength alloy steel cylinders. The cylinders contain the CO2 required to protect the largest single hazard. On large hazards where several cylinders are required, a manifold is used to connect each cylinder by means of flexible hoses and check valves. Cylinder valves control the CO2 flow to the hazard through properly sized pipe, terminating in nozzles that apply the CO2. Flow rate is controlled by nozzle orifices as well as pipe sizes. The cylinder master valves are electronically operated and the slave valves are pressure actuated. The master valves can be automatically and/or manually operated.

CO2 EXTINGUISHING SYSTEM MOST IDEAL FOR PROTECTING:

- Paint and varnish manufacturing and processing areas.
- Powder coating and Painting booths.
- Transformers and substations.
- Rolling mills and Turbines.
- False Floors and cable shafts.
- Engine test benches and SHIP Engine Room / compartments.
- Printing machines.

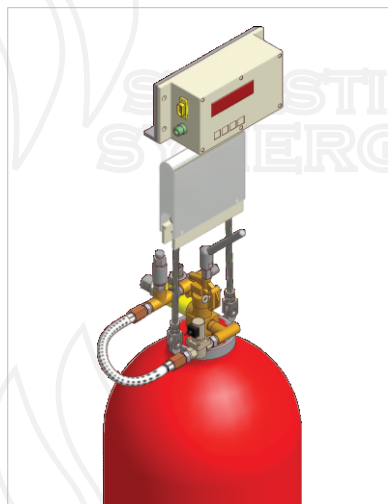
CO2 FIRE EXTINGUISHING SYSTEM



Sr. No.	Description
1.	CO2 Cylinder
2.	Master Valve
3.	Slave Valve
4.	Flexible Discharge Hose
5.	Flexible Inter Connecting Hose
6.	Non Return Valve
7.	Inline Check Valve
8.	Lock Out Valve
9.	Directional Valve
10.	Bleeder Valve

Sr. No.	Description
11.	Safety Release Valve
12.	Pressure Switch
13.	Pressure Gauge
14.	Solenoid Valve
15.	Digital Weight Loss Indicator
16.	Cylinder Mounting Frame
17.	Manifold
18.	Pressure Operated Siren
19.	CO2 Discharge Nozzle
20.	Weight Loss Indicator

ONLINE WEIGHT LOSS INDICATOR

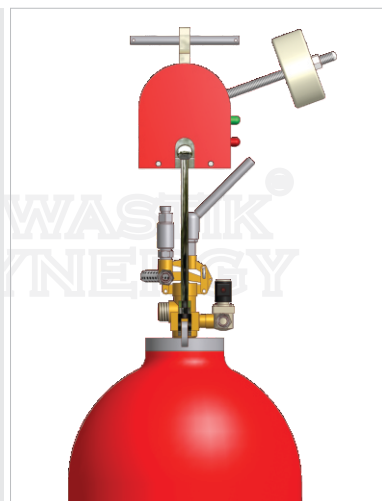


DIGITAL WEIGHT LOSS INDICATOR

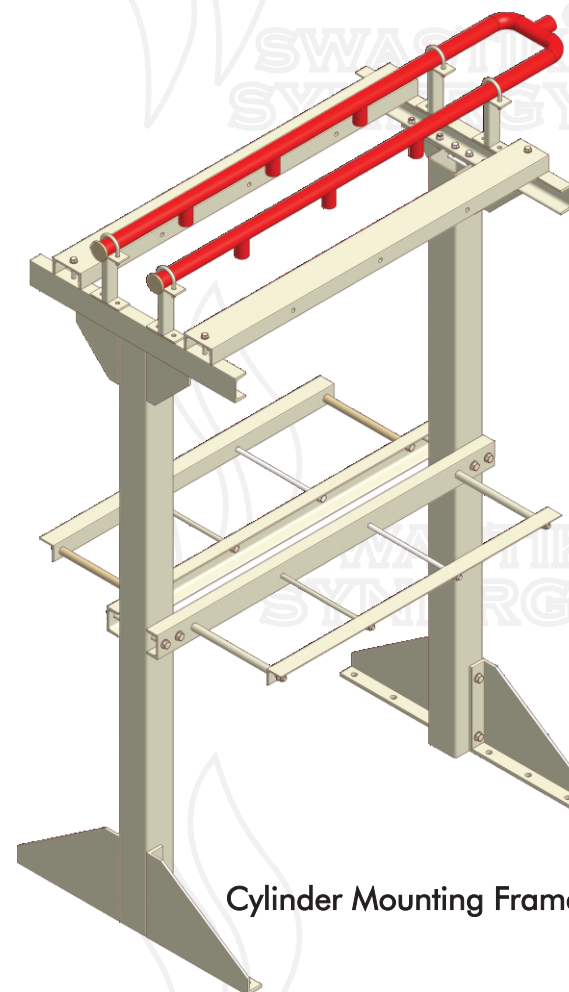
- Displays Actual Weight of Cylinder.
- Displays Weight on day of installation.
- Displays date of installation.
- Display WEIGHT LOSS and Audio Visual Alarm Sound on loss of weight more than 10% (or required by relevant standards) of gas contents.

MECHANICAL WEIGHT LOSS INDICATOR

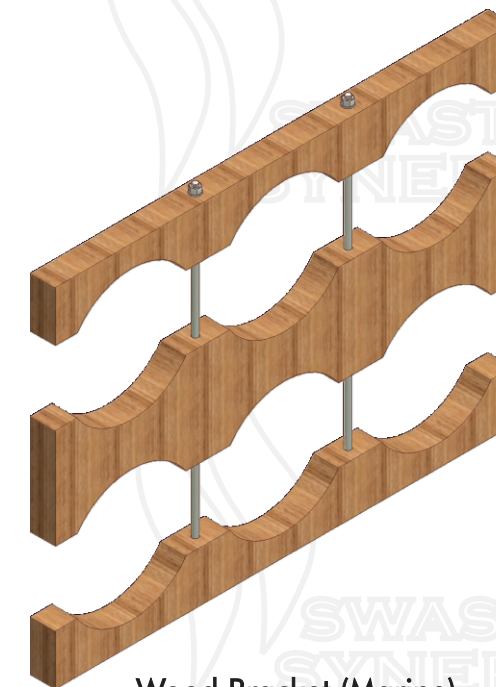
- Green light remains on indicating full weight.
- On weight loss of more than 10% (or as required relevant standards) of gas contents the balancing weight shall drop down triggering Audio Visual Alarm.
- The Red light turns on indicating loss of weight.



BATTERY FRAME



Cylinder Mounting Frame



Wood Bracket (Marine)

VALVES & ACTUATOR



12mm-Valve for Fire Suppression Systems



12mm-Solenoid Valve for Fire Suppression Systems

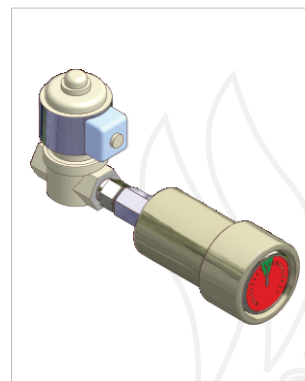


Pneumatic Valve



Electrical Actuator for Valves

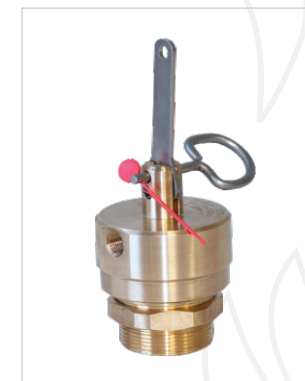
VALVES & ACTUATOR



Electro Pneumatic Actuator



Pneumatic Actuator for Valves



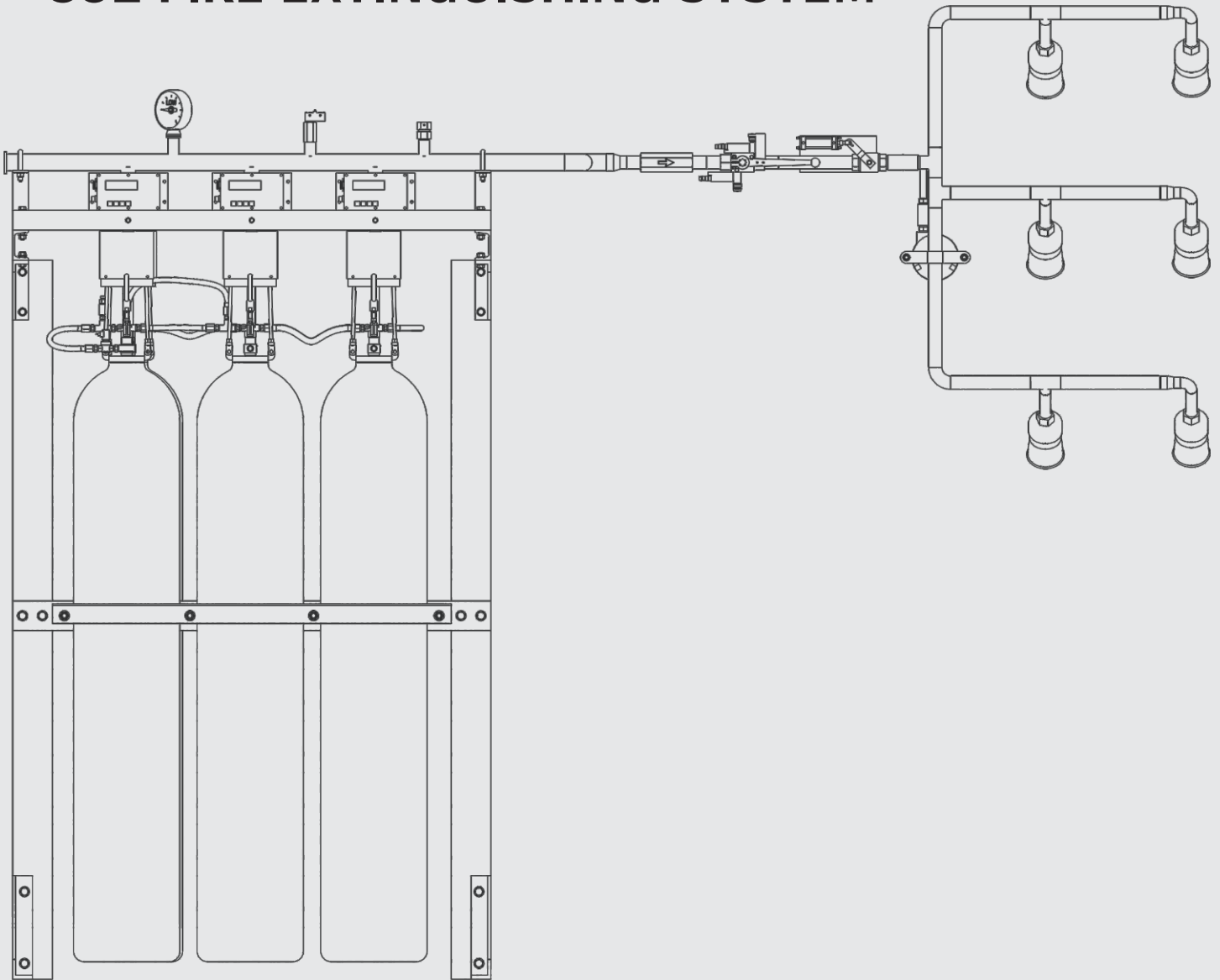
Pneumatic / Manual Actuator for Valves



Manual Actuator for Valves

SYNERGY

CO2 FIRE EXTINGUISHING SYSTEM



First and Only Indian Company with  LISTED CO2 Fire Extinguishing System



SWASTIK SYNERGY ENGINEERING PVT. LTD.

302, Business Suites 9, S.V. Road, Santacruz (W), Mumbai - 400 054, India.

Tel No. : +91 22 67550111 Mobile No. : +91 8425861616

Email : sales@swastiksynergy.com Web : www.swastiksynergy.com | www.co2system.in

Factory : Khopoli - Pen Road, Dist.: Raigad, India.